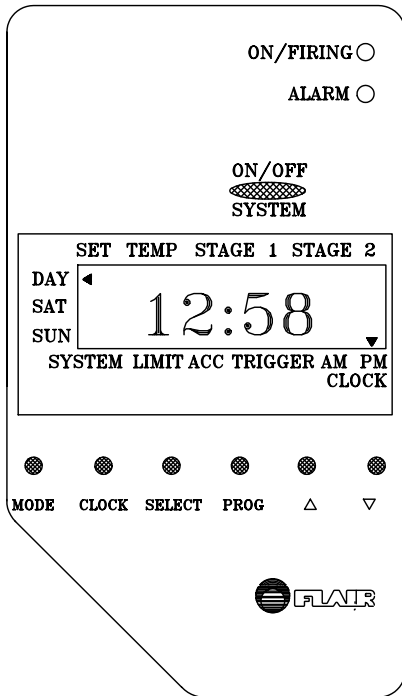


ELECTRONIC PROGRAMMABLE MULTISTAGE

CONTROLSTAT series CSPMB, CSPMF

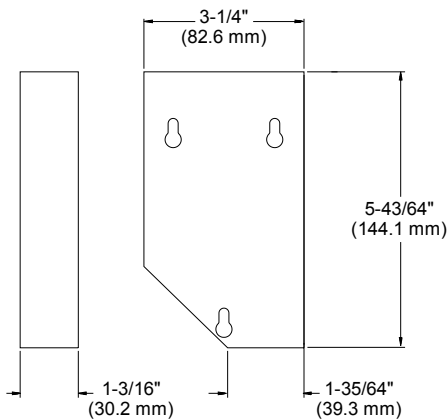
For programmed, timed control of two stage oil and gas fired and electric boilers and furnaces.



BENEFITS & SPECIAL FEATURES

- Set and display system temperatures.
- Display temperatures in F° or C°.
- Control, monitor, and display high and low limit temperatures.
- Set minimum required temperature for auxiliary output.
- Two solid state temperature sensors plus a separate limit sensor.
- 4 daily programs for M-F, Sat. and Sun.
- Digital 12/24 hour real time clock.
- Five year lithium battery.
- Easy programming—Easy setting.
- Large, easy to read, LCD display.
- System status indicators.
- Constant and resetable hour meters for routine maintenance reminders and efficiency measurement.
- Learned response feature adjusts for changing demands and response times.
- Manual on/off override.
- Program hold—overrides program for up to 365 days.
- Two stages of output determined by temperature differential from set point, temperature sensor used as a trigger or reaching stage set point.
- High and low limit alarm and accessory inputs can be connected to external security system signalling device or dialer.
- Alarm contact can be latched or unlatched.
- Accessory input can be attached to filter monitor, fuel sensor, or Flame Quality Indicator, (FQI) or other device.
- Damper (oil and gas models only) interlocked to combustion circuit—opens prior to combustion; closes after combustion to reduce stack and conditioned air losses.

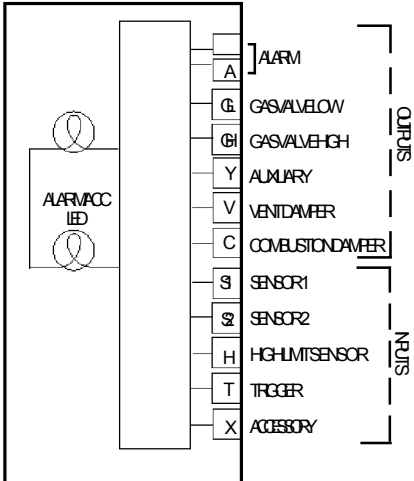
DIMENSIONS



SPECIFICATIONS

Operating Voltage:	24, 115 vac (-15%, +10%, 50-60 Hz)
Temperature Differential:	approximately ±0.8°F (.4°C)
Sensor System:	Negative Temperature Coefficient (NTC)
Type:	Well, or Surface mount
Quantity:	2 for temperature control 1 for limit control
Switches:	
Push-button:	MODE/CLOCK/SELECT/PROG/UP/DOWN
Push-button:	SYSTEM: ON/OFF
Indicator LED's:	ON (Steady Green) / FIRING (Flashing Green) ALARM (Red)
Display:	LCD, 4 character, .5" (1.27 cm) height.
Alarm function:	May be set for latched (manually reset) or unlatched (automatically reset) operation
Dimensions:	5 ⁴³ / ₆₄ X 3 ¹ / ₄ X 1 ³ / ₁₆ Inches (144.1 x 82.6 x 30.2 mm)
Case:	High impact flame retardant ABS
Color:	matte white

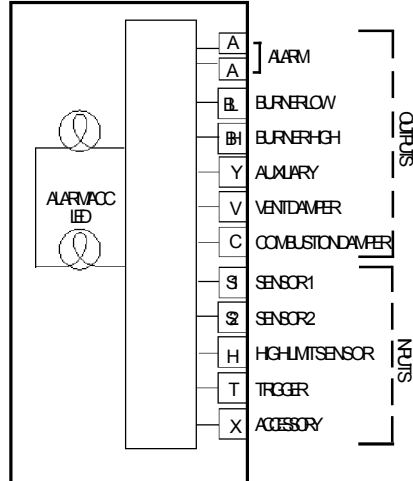
MODEL NUMBERS AND DESCRIPTIONS FOR VARIOUS APPLICATIONS



Model Number For:
 Gas Boilers CSPMGB02
 Gas Furnaces CSPMGF02

Temperature Range:
 System: 100 °F - 210 °F
 High limit: 180 °F - 220 °F
 Auxiliary: 100 °F - 180 °F

Switching Current at 24 VAC:
 Gas valve: 1 A
 Auxiliary: 10 A
 Vent damper: 1 A
 Combustion damper: 1 A
 Weight: .4 lbs. (880 g)



Model Number For:
 Oil Boilers CSPMOB04
 Oil Furnaces CSPMOF04

Temperature Range:
 System: 100 °F - 210 °F
 High limit: 180 °F - 220 °F
 Auxiliary: 100 °F - 180 °F

Switching Current at 120 VAC:
 Burner: 10 A
 Auxiliary: 10 A
 Vent damper: 1 A
 Combustion damper: 1 A
 Weight: .4 lbs. (880 g)



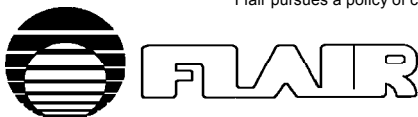
ACCESSORIES

Temperature Sensor:	
Duct mount	TX101012
Immersion (well)	TX101031
Surface mount	TX101041
Auxiliary Relays	
SPST 24/24 VAC 10 amps	
SPST 24/120 VAC 10 amps	
SPST 120/120 VAC 10 amps	
Leak Sensor	TX107001
Transformers:	
40 VA	TR140100
20 VA	TR120100
Relay Transformers:	
20 VA (2) SPST 120 VAC relay	TR440200
20 VA (1) SPST 120 VAC relay	TR440300
40 VA (1) SPST 24 VAC relay &	
(1) SPST 120 VAC relay	TR440100

REFERENCES

For More Information On:	See:
Other controllers for single-stage and proportional systems	This section
Zone Actuators	Star Actuator section
Zone Valves	Star Valve section
Wiring Panels	Control Panels section
Weather Compensation Controls	Weather Compensation Controls section
Flame Quality Indicator	FQI section
Warranty & pricing	Pricing and terms section

Flair pursues a policy of constant improvement. For this reason, all specifications are subject to change without notice.



FLAIR INTERNATIONAL CORPORATION

600 Old Willets Path • Hauppauge, New York 11788 • Tel: (516) 234-3600 • Fax: (516) 234-3610

CSPMP2